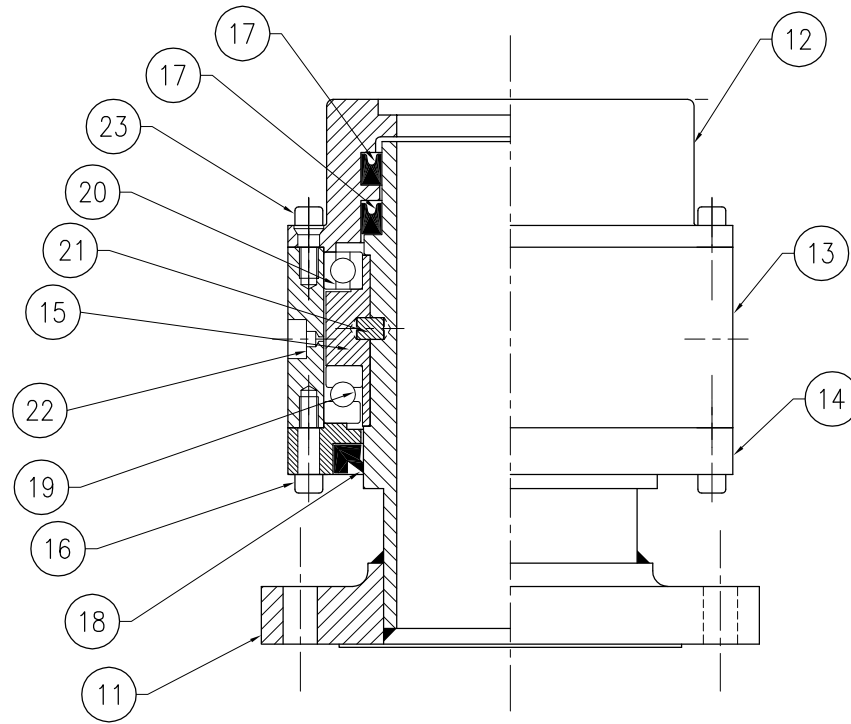
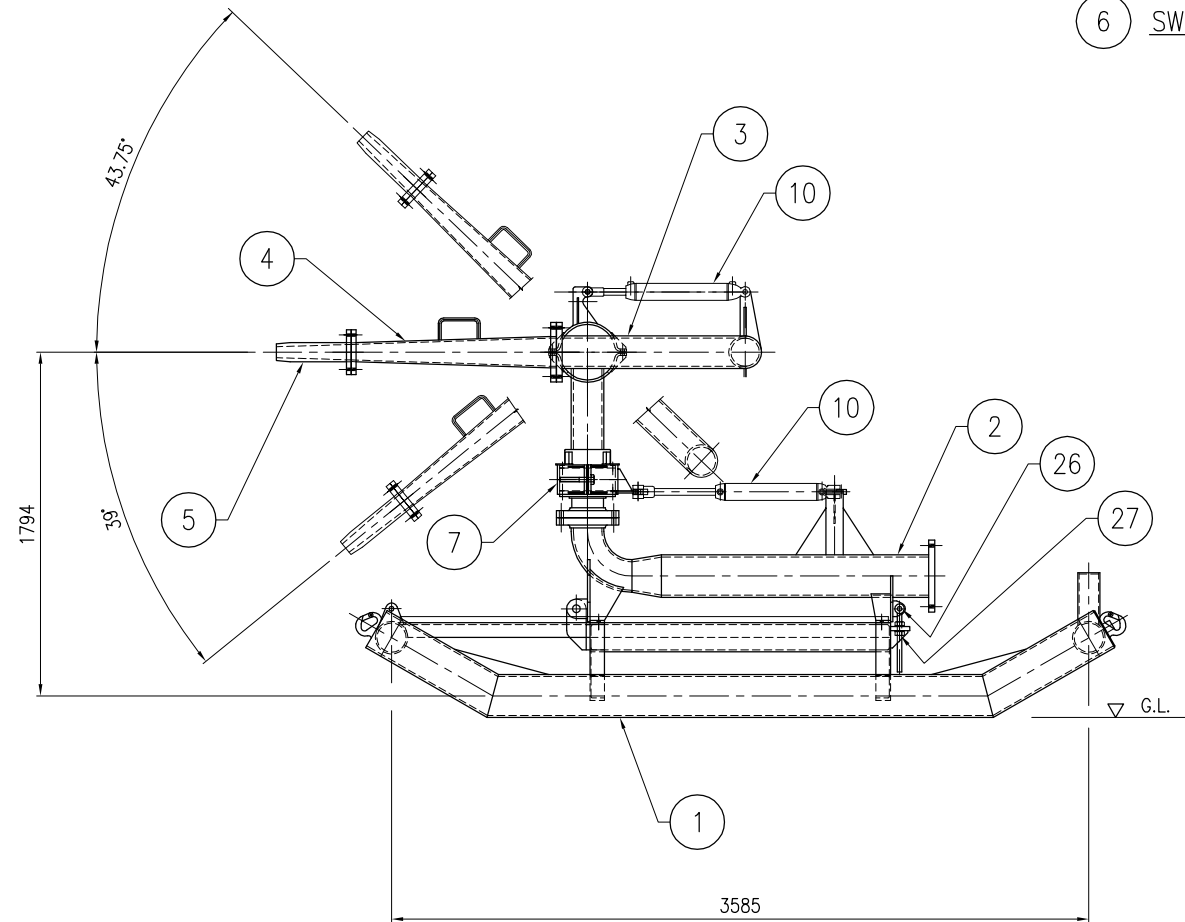


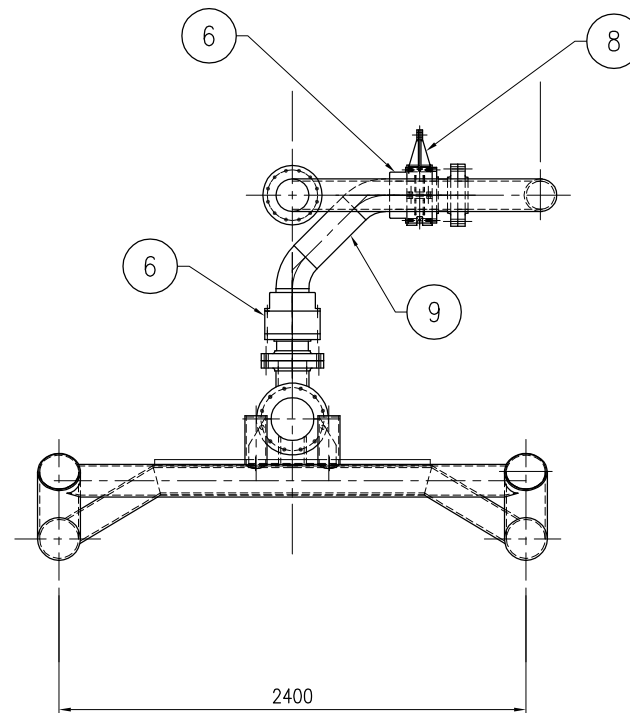
ITEM	DESCRIPTION	QTY
1	SKID BASE	1
2	BOTTOM FEED PIPE	1
3	LOOP PIPE	1
4	NOZZLE PIPE	1
5	NOZZLE	1
6	SWIVEL ASSEMBLY	2
7	HINGED CLAMP	1
8	SPLIT CLAMP	1
9	MID FEED PIPE	1
10	HYDRAULIC CYLINDER	2
11	INNER SLEEVE	2
12	SEAL HOUSING	2
13	OUTER CASING	2
14	FRONT COVER	2
15	SPLIT SPACER	2
16	SKT HD CAP SCREW	24
17	WATER SEAL	4
18	SEAL	2
19	THRUST BEARING	2
20	DEEP GROOVE BALL BEARING	2
21	DOWEL	2
22	GREASE NIPPLE	2
23	SKT HD CAP SCREW	24
24	PIVOT PIN	1
25	JACKING BOLTS	2
26	BOLT, NYLOC NUT & FLT WSH	2
27	HEAVY NUT & FLT WSH	4



6 SWIVEL ASSEMBLY 1:2.5



ELEVATION



END VIEW

CLIENT		TITLE		NUMBER
		BAIA MARE – ROMANIA RECLAMATION PROJECT MONITOR GUN GENERAL ARRANGEMENT		EXAMPLE 1
GAZ DESIGN DRAFTING PTY LTD		ABN 18 058 773 916		REVISION
				A1

**GAZ**  
DESIGN DRAFTING

104 HANNAN ST  
PO BOX 4079  
KALGOORLIE WA 6430  
Ph 08 90215349  
Fax 08 90216808  
EMAIL ADDRESS  
gozdraft@emerge.net.au

SCALE	1:20 UNO	
DRAWN	S.JACKSON	6.3.99
CHECKED	GJL	30.3.99
DESIGNED		
APPROVED		

No	REVISION	DATE	BY	No	REVISION	DATE	BY	REFERENCE	DRG No

THE CONCEPTS AND INFORMATION CONTAINED IN THIS DRAWING ARE THE COPYRIGHT OF GAZ DESIGN DRAFTING PTY LTD, AND ARE NOT TO BE USED OR COPIED WITHOUT WRITTEN PERMISSION.

A1 SIZE WHEN PLOTTED AT NOMINATED SCALE