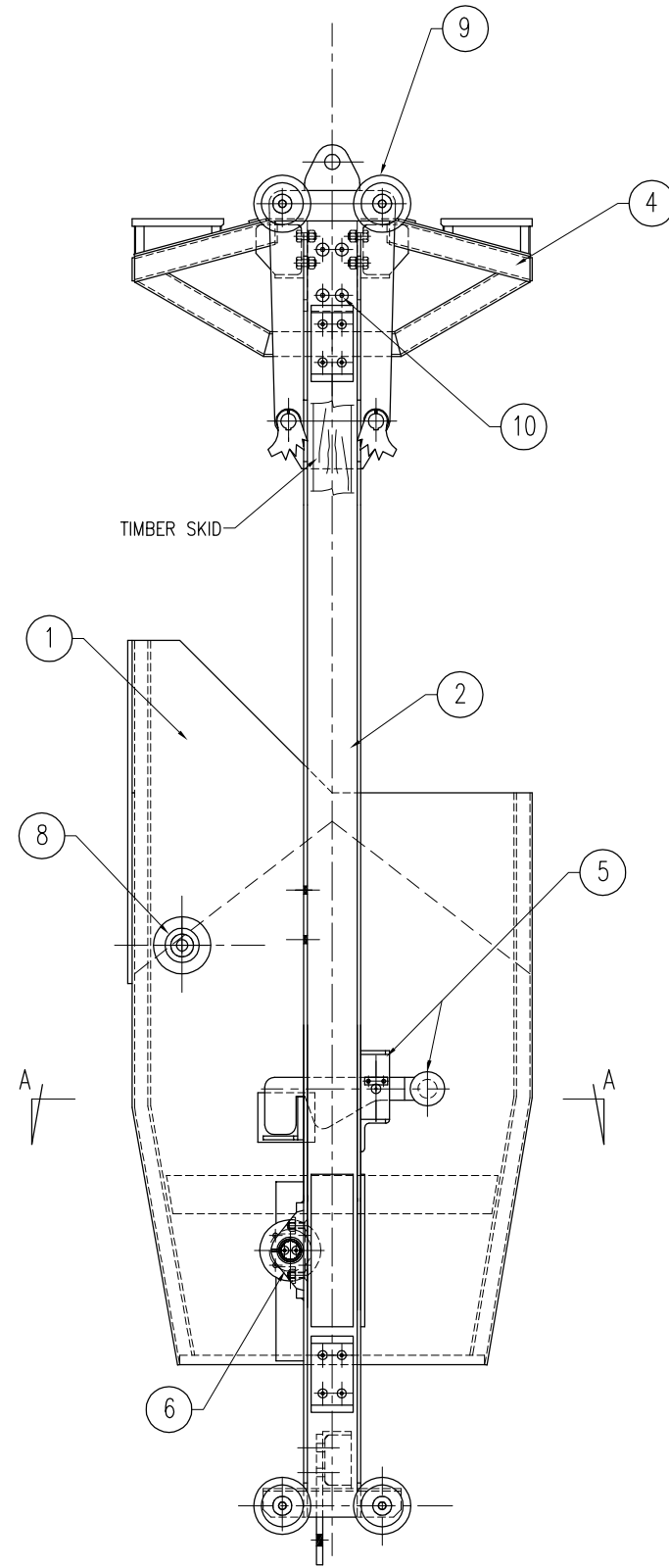
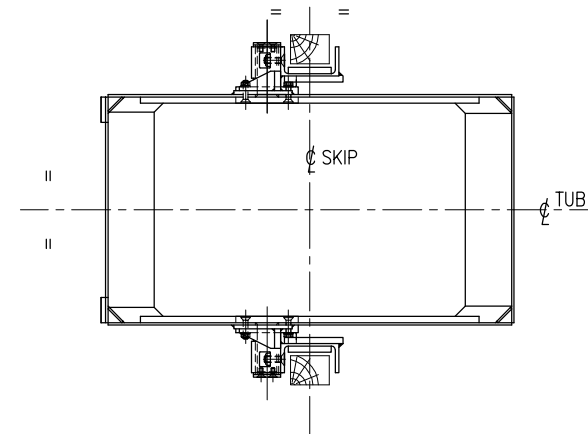


FRONT ELEVATION



SIDE ELEVATION



SECTION A-A

ITEM	DESCRIPTION	QTY
1	TUB	1
2	BRIDLE	1
3	TRANSOM	1
4	BONNET	1
5	LATCH ASSEMBLY (LEFT & RIGHT HAND)	2
6	TUB HINGE (LEFT & RIGHT HAND)	2
7	GRIPPER ASSEMBLY	1
8	DUMP ROLLER	2
9	GUIDE ROLLER	8
10	FLAT HEAD SOCKET SCREW	8
	FLAT WASHER & TYPE P NYLOCK NUT	
11	LOCKNUT	4
12	DISC	2

CLIENT		TITLE		NUMBER	
		MINING SHAFT HAULAGE SKIP GENERAL ARRANGEMENT		EXAMPLE 2	
GAZ DESIGN DRAFTING PTY LTD		ABN 18 058 773 916		REVISION	
				A1	

**GAZ**  
DESIGN DRAFTING

104 HANNAN ST  
PO BOX 4079  
KALGOORLIE WA 6430  
Ph 08 90215349  
Fax 08 90216808  
EMAIL ADDRESS  
gozdraft@emerge.net.au

SCALE	1:10 UON	
DRAWN	M.J.I	30.9.95
CHECKED	G.J.L	28.9.95
DESIGNED		
APPROVED		

No	REVISION	DATE	BY	No	REVISION	DATE	BY	REFERENCE	DRG No

THE CONCEPTS AND INFORMATION CONTAINED IN THIS DRAWING ARE THE COPYRIGHT OF GAZ DESIGN DRAFTING PTY LTD, AND ARE NOT TO BE USED OR COPIED WITHOUT WRITTEN PERMISSION.

A1 SIZE WHEN PLOTTED AT NOMINATED SCALE