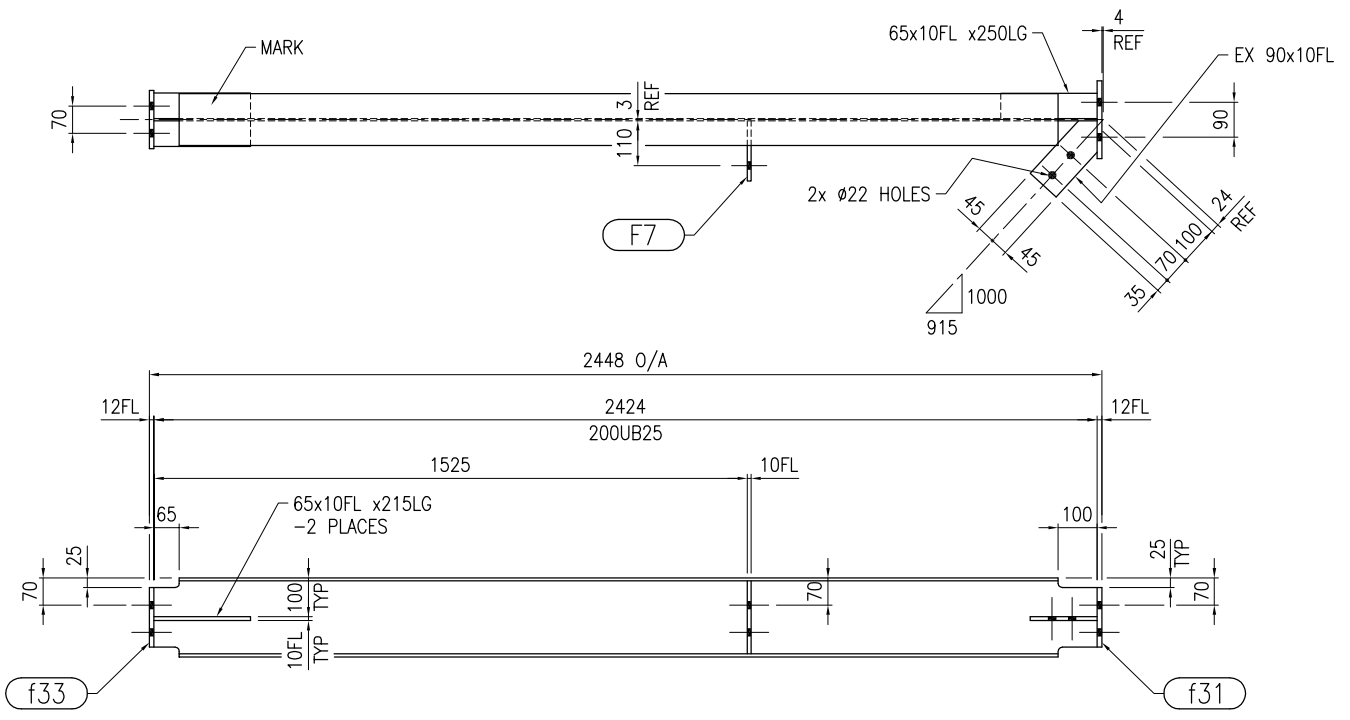
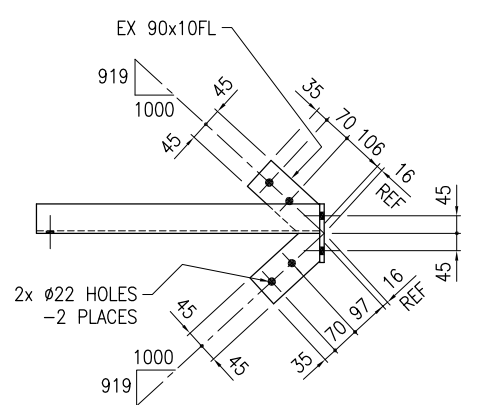


1B52 BEAM DETAIL
-1 REQD AS DRN

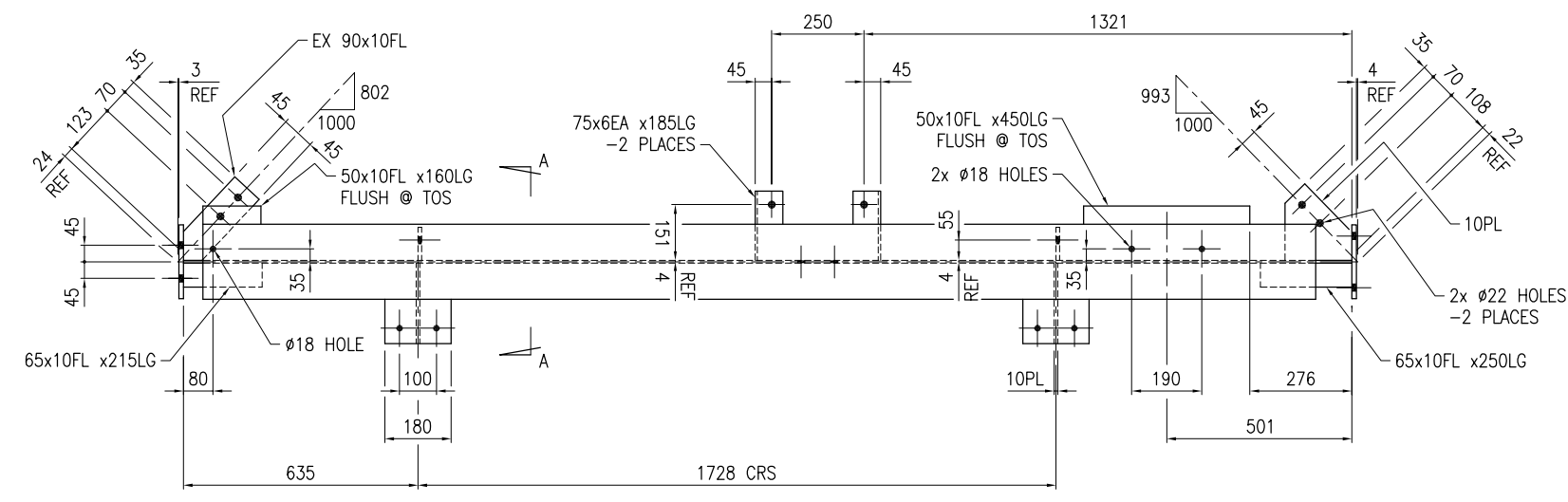


1B54 BEAM DETAIL
-1 REQD AS DRN



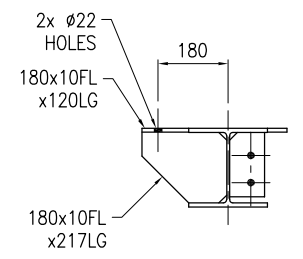
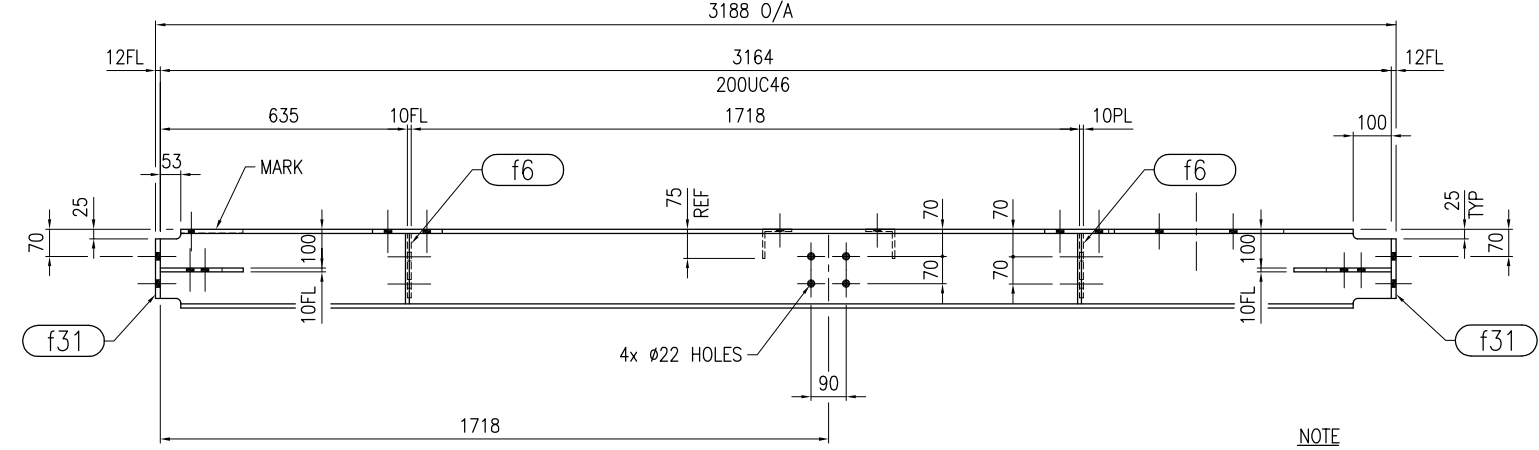
1B61 BEAM DETAIL
-1 REQD AS DRN

1B62 BEAM DETAIL
-1 REQD OPP HAND



1B10 BEAM DETAIL
-1 REQD AS DRN

1B50 BEAM DETAIL
-1 REQD OPP HAND



SECTION A-A
TYPICAL -2 PLACES

NOTE
1. ALL HOLES ø22 UNO

										104 HANNAN ST PO BOX 4079 KALGOORLIE WA 6430 Ph 08 90215349 Fax 08 90216808 EMAIL ADDRESS gozdraft@emerge.net.au		SCALE 1:10 DRAWN S.SCHMITT 22.09.97 CHECKED DESIGNED APPROVED		CLIENT TITLE FIMISTON CONSOLIDATION PROJECT 1997 MILL TRASH SCREEN AREA RL 374.600 STEELWORK DETAILS SHEET10		NUMBER EXAMPLE 7	
No	REVISION	DATE	BY	No	REVISION	DATE	BY	REFERENCE	DRG No	THE CONCEPTS AND INFORMATION CONTAINED IN THIS DRAWING ARE THE COPYRIGHT OF GAZ DESIGN DRAFTING PTY LTD, AND ARE NOT TO BE USED OR COPIED WITHOUT WRITTEN PERMISSION.		A1 SIZE WHEN PLOTTED AT NOMINATED SCALE		GAZ DESIGN DRAFTING PTY LTD ABN 18 058 773 916		REVISION	A1